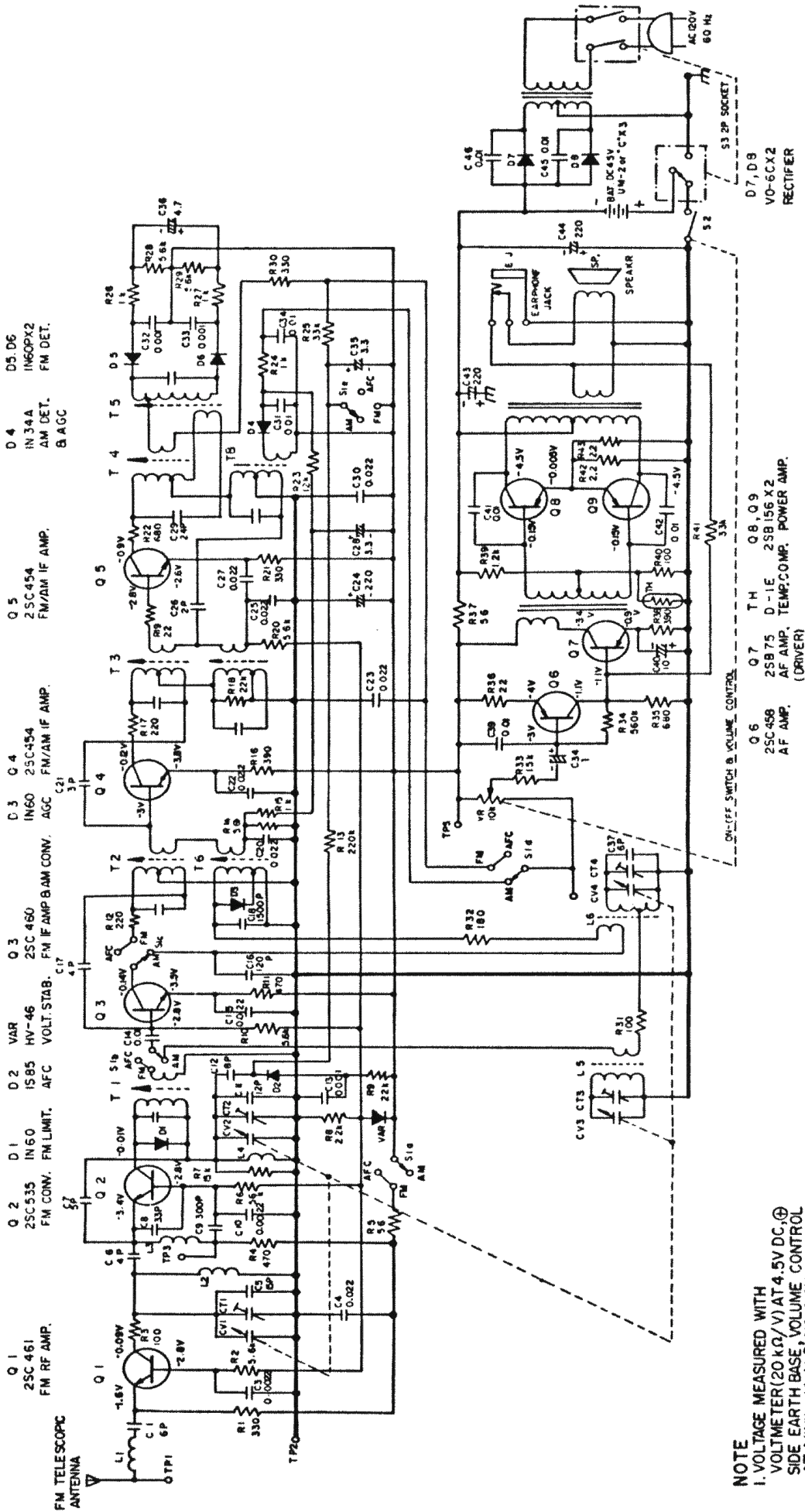


REPLACEMENT PARTS

Symbol No.	Stock No.	Description	Symbol No.	Stock No.	Description
CAPACITORS :					
C 1	0248646	Ceramic, disc. 6pF ± 0.5pF	R 24	0137851	Carbon film 1kΩ ± 5% ¼SD
C 3	0244163	Ceramic, disc. 0.0022μF +80% -20%	R 25	0137907	Carbon film 33kΩ ± 5% ¼SD
C 4	0275113	Mylar 0.022μF +20%	R 26	0137851	Carbon film 1kΩ ± 5% ¼SD
C 5	0248704	Ceramic, disc. 15pF ± 10%	R 27	0137851	Carbon film 1kΩ ± 5% ¼SD
C 6	0248644	Ceramic, disc. 4pF ± 0.5pF	R 28	0137860	Carbon film 5.6kΩ ± 5% ¼SD
C 7	0248645	Ceramic, disc. 5pF ± 0.5pF	R 29	0137860	Carbon film 5.6kΩ ± 5% ¼SD
C 8	0248712	Ceramic, disc. 33pF ± 10%	R 30	0137807	Carbon film 330Ω ± 5% ¼SD
C 9	0249519	Ceramic, disc. 300pF ± 10%	R 31	0137801	Carbon film 100Ω ± 5% ¼SD
C 10	0244163	Ceramic, disc. 0.0022μF +80% -20%	R 32	0137804	Carbon film 180Ω ± 5% ¼SD
C 11	0246472	Ceramic, disc. 12pF ± 10%	R 33	0137853	Carbon film 15kΩ ± 5% ¼SD
C 12	0248648	Ceramic, disc. 8pF ± 0.5pF	R 34	0122901	Carbon film 560kΩ ± 5% ¼SD
C 13	0244161	Ceramic, disc. 0.001μF -20%	R 35	0137811	Carbon film 680Ω ± 5% ¼SD
C 14	0275111	Mylar 0.01μF +20%	R 36	0137763	Carbon film 22Ω ± 5% ¼SD
C 15	0275113	Mylar 0.022μF +20%	R 37	0137768	Carbon film 56Ω ± 5% ¼SD
C 16	0248726	Ceramic, disc. 120pF ± 10%	R 38	0137808	Carbon film 390Ω ± 5% ¼SD
C 17	0248644	Ceramic, disc. 4pF ± 0.5pF	R 39	0137852	Carbon film 1.2kΩ ± 5% ¼RDS
C 18	0221339	Polystyrol 1500pF ± 5%	R 40	0137901	Carbon film 100Ω ± 5% ¼SD
C 20	0275113	Mylar 0.022μF +20%	R 41	0137907	Carbon film 33kΩ ± 5% ¼SD
C 21	0248643	Ceramic, disc. 3pF ± 0.5pF	R 42	0137751	Carbon film 2.2Ω ± 5% ¼SD
C 22	0275113	Mylar 0.022μF ± 20%	R 43	0137751	Carbon film 2.2Ω ± 5%
C 23	0275113	Mylar 0.022μF ± 20%	RV	7071601	Variable 10kΩ
C 24	0252332	Electrolytic 220μF 10V	SEMI-CONDUCTORS :		
C 25	0275113	Mylar 0.022μF ± 20%	Q 1	0573506	Transistor 2SC461A Silicon 100MHz 200mW
C 26	0248642	Ceramic, disc. 2pF ± 0.5pF	Q 2	0573509	Transistor 2SC535A Silicon 100MHz 200mW
C 27	0275113	Mylar 0.022μF ± 20%	Q 3	0573486	Transistor 2SC460B Silicon 100MHz 200mW
C 28	0252613	Electrolytic 3.3μF 25V	Q 4	0573492	Transistor 2SC454C Silicon 2MHz 200mW
C 29	0248669	Ceramic, disc. 24pF ± 5%	Q 5	0573492	Transistor 2SC454C Silicon 2MHz 200mW
C 30	0275113	Mylar 0.022μF +20%	Q 6	5320064	Transistor 2SC458D Silicon 10kHz 200mW
C 31	0275111	Mylar 0.01μF +20%	Q 7	0573117	Transistor 2SB75B Germanium 10kHz 150mW
C 32	0274111	Mylar 0.001μF +20%	Q 8	0573002	Transistor 2SB156B/P Germanium 10kHz 150mW
C 33	0274111	Mylar 0.001μF +20%	Q 9	0573002	Transistor 2SB156B/P Germanium 10kHz 150mW
C 34	0275111	Mylar 0.01μF ± 20%	D 1	0575005	Diode 1N60 Germanium 10.7MHz
C 35	0252613	Electrolytic 3.3μF 25V	D 2	0575024	Diode 1S85 Silicon 10MHz
C 36	0252615	Electrolytic 4.7μF 25V	D 3	0575005	Diode 1N60 Germanium 10.7MHz
C 37	0248646	Ceramic, disc. 6pF ± 0.5pF	D 4	0575001	Diode 1N34A Germanium 455kHz
C 38	0252611	Electrolytic 1μF 25V	D 5	0575019	Diode 1N60P Germanium 10.7MHz
C 39	0275111	Mylar 0.01μF ± 20%	D 6	0575019	Diode 1N60P Germanium 10.7MHz
C 40	0252621	Electrolytic 10μF 25V	D 7	5330101	Rectifier VO-6C
C 41	0275111	Mylar 0.01μF ± 20%	D 8	5330101	Rectifier VO-6C
C 42	0275111	Mylar 0.01μF ± 20%	T H	0576056	Thermistor D-1E
C 43	0256003	Electrolytic 220μF 10V	VAR	5340022	Diode HV46 Silicon 100MHz 20mW
C 44	0256003	Electrolytic 220μF 10V	TRANSFORMERS		
C 45	0244171	Ceramic, disc. 0.01μF +80% -20%	T 1	0329603	FM IF
C 46	0244171	Ceramic, disc. 0.01μF +80% -20%	T 2	0329602	FM IF
CV1~4	7071651	Plastic variable	T 3	0329602	FM IF
CT1~4	7071651	Plastic variable	T 4	0326026	Discriminator
RESISTORS :					
R 1	0137807	Carbon film 330Ω ± 5% ¼SD	T 5	0326028	Discriminator
R 2	0137860	Carbon film 5.6kΩ ± 5% ¼SD	T 6	0329501	AM IF
R 3	0137801	Carbon film 100Ω ± 5% ¼SD	T 7	0322115	AM IF
R 4	0137809	Carbon film 470Ω ± 5% ¼SD	T 8	0322118	AM IF
R 5	0137768	Carbon film 56Ω ± 5% ¼SD	T 9	0441085	Input
R 6	0137860	Carbon film 5.6kΩ ± 5% ¼SD	T 10	5250938	Output
R 7	0137853	Carbon film 15kΩ ± 5% ¼SD	T 11	7071201	Power
R 8	0137855	Carbon film 22kΩ ± 5% ¼SD			
R 9	0137855	Carbon film 22kΩ ± 5% ¼SD			
R 10	0137860	Carbon film 5.6kΩ ± 5% ¼SD			
R 11	0137809	Carbon film 470Ω ± 5% ¼SD			
R 12	0137805	Carbon film 220Ω ± 5% ¼SD			
R 13	0137955	Carbon film 220kΩ ± 5% ¼SD			
R 14	0137910	Carbon film 56kΩ ± 5% ¼SD			
R 15	0137851	Carbon film 1kΩ ± 5% ¼SD			
R 16	0137808	Carbon film 390Ω ± 5% ¼SD			
R 17	0137805	Carbon film 220Ω ± 5% ¼SD			
R 18	0137903	Carbon film 22kΩ ± 5% 15 ¼SD			
R 19	0137763	Carbon film 22Ω ± 5% ¼SD			
R 20	0137860	Carbon film 5.6kΩ ± 5% ¼SD			
R 21	0137807	Carbon film 330Ω ± 5% ¼SD			
R 22	0137811	Carbon film 680Ω ± 5% ¼SD			
R 23	0137902	Carbon film 12kΩ ± 5% ¼SD			

REPLACEMENT PARTS (cont.)

Symbol No.	Stock No.	Description	Symbol No.	Stock No.	Description
COILS :					
L 1	0318530	FM Antenna	7244666		Holder (3req'd) for speaker
L 2	0318526	FM	8781436		Tapping screw-3mm ϕ \times 6mm (3req'd) for holder (speaker) mounting
L 3	0324003	FM Trap	for rear case assembly		
L 4	0318537	FM Oscillator	7071231		Rear case Black
L 5	7071581	Ferrite-core Antenna	7071241		Rear case Ivory
L 6	5220198	AM Oscillator	7071251		Handle assembly Black
MISCELLANEOUS :					
for final assembly					
	5730073	Earphone	7071511		Handle assembly Black
	5747011	Power cord with plug	5750471		Telescopic antenna Ivory
	8745418	Bind screw-3mm ϕ \times 18mm (2req'd) for rear case mounting	8711404		Pan head screw-3mm ϕ \times 4mm for telescopic antenna & bracket mounting
	8781438	Tapping screw-3mm ϕ \times 8mm (4req'd) for P. W. B. mounting	8781436		Tapping screw-3mm ϕ \times 6mm for bracket & rear case mounting
	7071171	Battery case	7071521		Battery lid assembly Black
	7072151	Knob assembly (TUNING) Black	7071531		Battery lid assembly Ivory
	7072171	Knob assembly (TUNING) Ivory	for chassis assembly		
	7071321	Knob assembly (VOLUME) Black	7071551		Shaft
	7071331	Knob (VOLUME) Black	7071541		Chassis assembly
for front case assembly					
	7071181	Front case assembly Black	7071561		Scale plate Black
	7071191	Front case assembly Ivory	7071571		Scale plate Ivory
	8781436	Tapping screw-3mm ϕ \times 6mm (2req'd) for power transformer mounting	8781436		Tapping screw-3mm ϕ \times 6mm (2req'd) for P.W.B. & scale plate mounting
	5652001	2P socket	7071591		Holder (2req'd) for antenna
	0711308	Pan head screw-2.6mm ϕ \times 8mm (2req'd) for 2P socket mounting	for P. W. B. assembly		
	7071211	Bracket for 2P socket	7071611		Roller
	7071221	Speaker-7.7 cm	8821114		Nut-3mm (2req'd) for shaft (roller) mounting
			0711306		Pan head screw-2.6mm ϕ \times 6mm for pulley mounting
			7071621		Pulley
			7071631		Spring for pulley
			7071641		Pointer
			0721304		Flat screw-2.6mm ϕ \times 4mm (2req'd) for plastic variable capacitor mounting
			7071661		Slide switch for band selector
			0543217		Jack for earphone



NOTE
 1. VOLTAGE MEASURED WITH VOLT METER (20 KΩ/V) AT 4.5V DC. ⊕ SIDE EARTH BASE, VOLUME CONTROL AT MINIMUM AND NO SIGNAL.
 2. ALL RESISTANCE VALUES IN OHMS k=1000
 3. ALL CAPACITANCE VALUES IN MICROFARAD (μF) EXCEPT *p NOTED.
 p*/μF = pF